



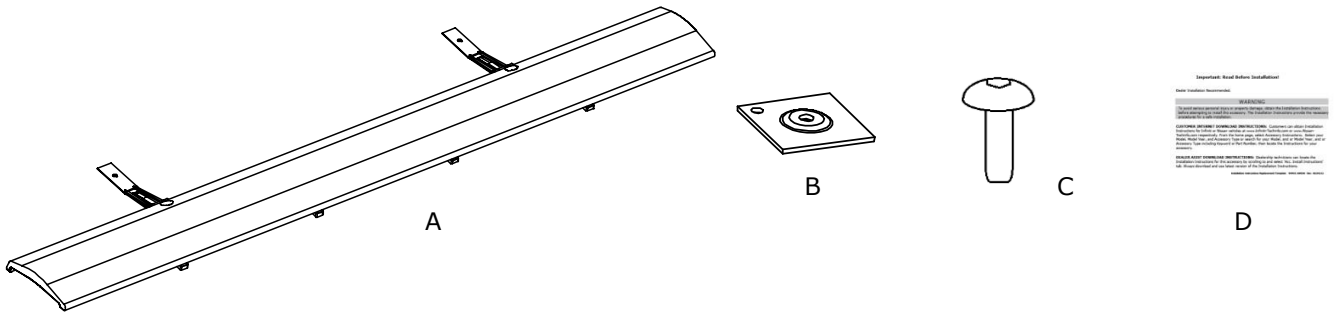
GENUINE PARTS

INSTALLATION INSTRUCTIONS

DESCRIPTION:	Tailgate Guard for Standard Bed
APPLICATION:	Titan
PART NUMBER:	Tailgate Guard - 999T7 W4900
REQUIRED FOR	999T1 W3702 (Tailgate Liner) - Not Included in kit.
INSTALLATION:	NOTE: Required only for vehicles that do not already have a tailgate liner.

KIT CONTENTS:

Item	Qty.	Part Description	Service Part Number
A	1	Tailgate Guard	---
B	2	Mounting Plate	---
C	2	T30 Torx Screw M6 x 16	---
D	1	Installation Instruction Replacement Template	999V2 AW000



TOOLS REQUIRED:

- Socket Wrench
- T30 Torx Screwdriver/Wrench
- Torque Driver with T30 Torx Head
- Marker/Grease Pen/Pencil (Optional)
- ≥90% Alcohol/Water Solution
- Microfiber Cloth
- Box Cutter or Safety Razor (Optional)
- Straight Edge (Optional)

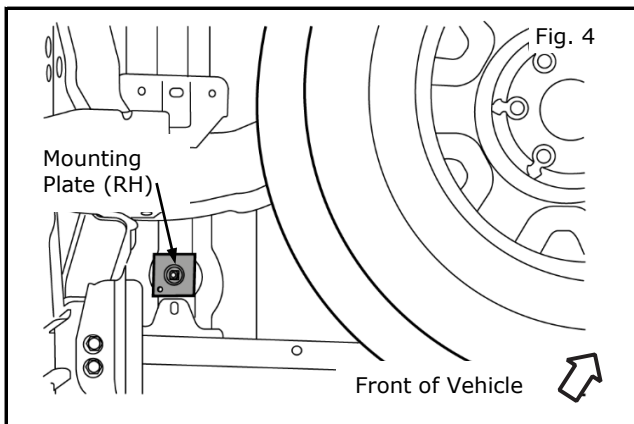
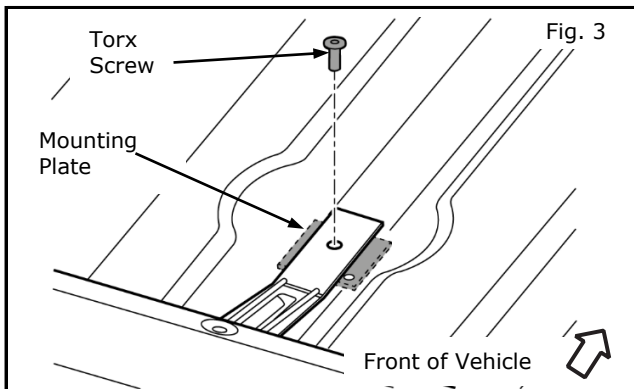
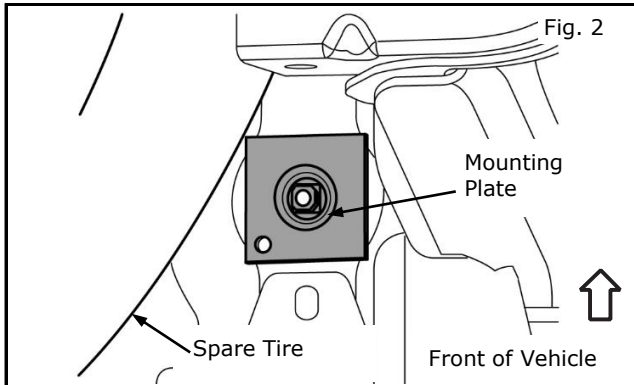
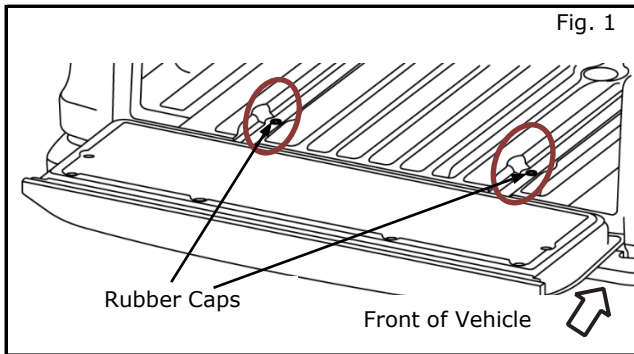
PRE-INSTALLATION WARNINGS, CAUTIONS, CRITICAL STEPS, and NOTES:

- Dealer Installation Recommended. Instructions may refer to Service Manual.

⚠ WARNING

- Exercise caution when manipulating the hinges on the tailgate guard. The passenger side (RH) hinge is spring loaded.

INSTALLATION PROCEDURE:



- 1) Lower tailgate.
- 2) Remove and store both rubber bed caps.
- 3) Clean area shown using 90% or greater alcohol solution.

NOTE:

Failure to clean surface could result in improper fit.

- 4) Have an assistant hold mounting plate to LH hole by aligning raised surface to hole. Hole is located just behind spare tire.

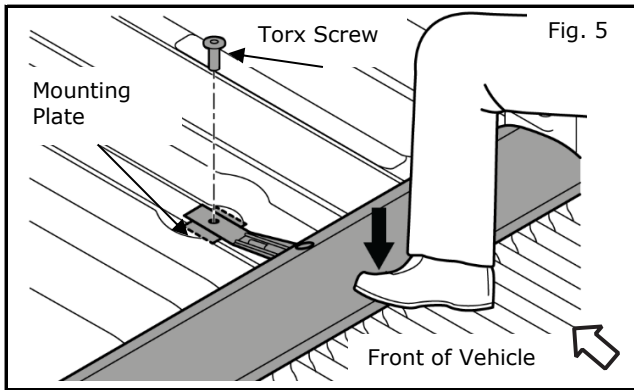
- 5) With a second person holding mounting plate on LH side, loosely install torx screw.

- 6) Have an assistant hold mounting plate to RH hole by aligning raised surface to hole.

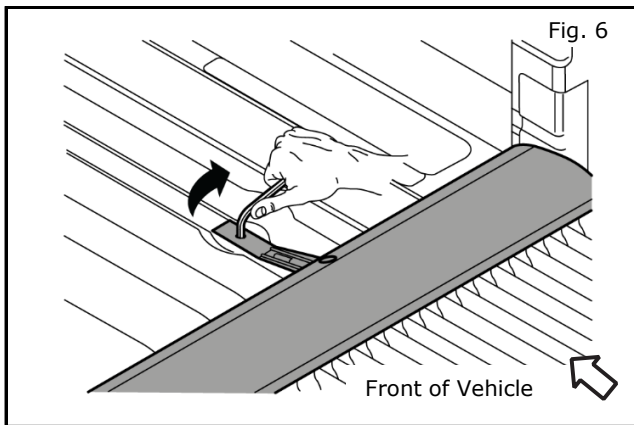
NOTE:

Intall LH side of tailgate guard first. Installing RH side of tailgate guard first will result in improper fit.

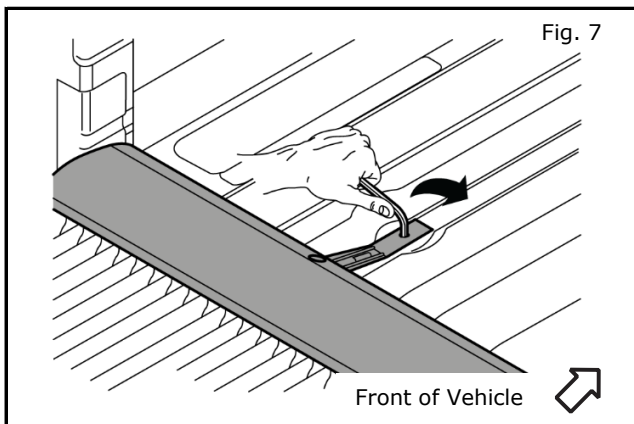
INSTALLATION PROCEDURE:



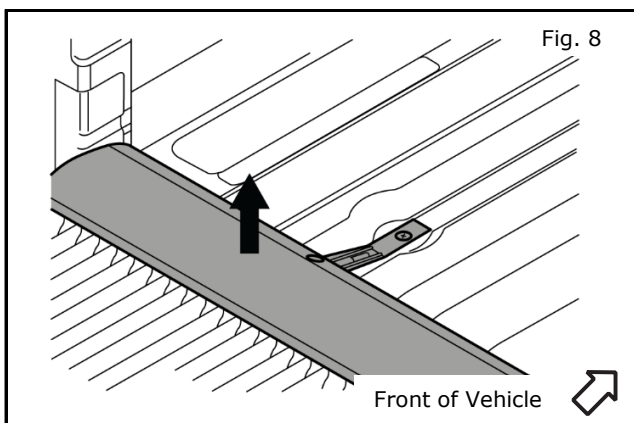
- 7) With a second person holding mounting plate on RH side, loosely install torx screw while applying pressure to passenger side of tailgate guard by sitting on part or placing foot over area shown.



- 8) Apply pressure to passenger side of tailgate guard (as done in Step 5c) and tighten bolts to 10.5 N-m (8 ft-lb) using T30 torx screwdriver/wrench or torque driver with T30 torx head.



- 9) Tighten driver side of tailgate guard to 10.5 N-m (8ft-lb) using T30 torx screwdriver or torque driver with T30 torx head.



- 10) Removing debris:
Gravel, top soil, and other debris can sometimes shift underneath tailgate guard. Lift tailgate guard and brush away debris toward either side to allow tailgate guard to operate properly.
- 11) Unloading gravel, topsoil, and other small particles:
After unloading gravel, top soil or other small particles, check underneath tailgate guard and remove debris as described in step 10.